

Agilent HLMP-0103 T-13/4 (5 mm) Panel Mount Clip and Retaining Ring Product Overview

Description

The HLMP-0103 is a black plastic mounting clip and retaining ring. It is designed to panel mount Agilent Solid State high profile T-13/4 size lamps. This clip and ring combination is intended for installation in instrument panels from 1.52 mm (0.060") to 2.67 mm (0.105") thick. For panels greater than 2.67 mm (0.105"), counterboring may be needed to the required thickness.

Mounting Instructions

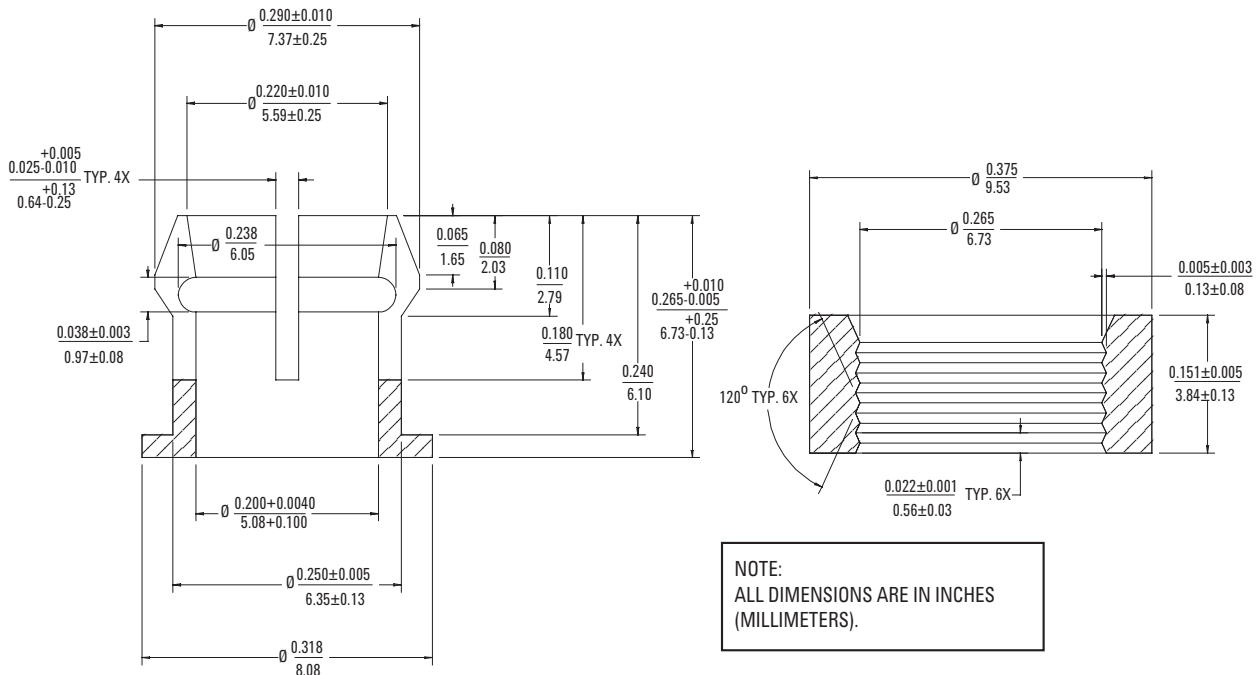
1. Drill a 6.45/6.63 (0.254/0.261in.) dia. hole in the panel. Deburr but do not chamfer the edges of the hole.
2. Press the panel clip into the hole from the front of the panel.
3. Press the LED into the clip from the back. Use blunt long nose pliers to push on the LED. Do not use force

- on the LED leads. A tool such as a nut driver may be used to press on the clip.
4. Slip a plastic retaining ring onto the back of the clip and press tight using tools such as two nut drivers.

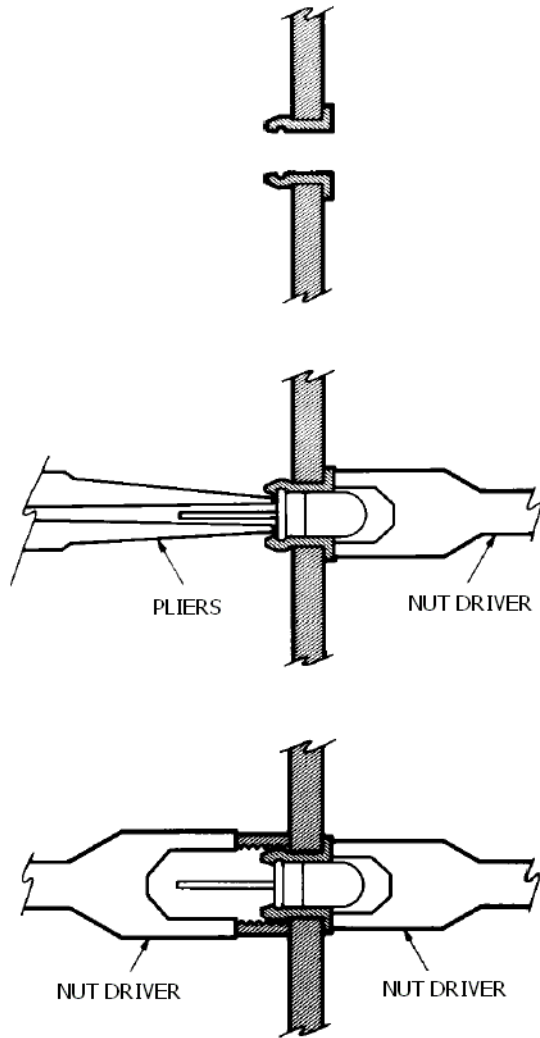
Note: Clip and retaining ring are also available for T-1 package, from a non-Agilent source. Please contact Interconsal Association, 2584 Wyandotte Way, Mountain View, CA for additional information. Telephone: (408) 745-0161.

See Diagram that follows.

Package Dimensions



Mounting Instructions



www.agilent.com/semiconductors

For product information and a complete list of distributors, please go to our web site.

Data subject to change.

Copyright 2003 Agilent Technologies, Inc.

September 25, 2003

5989-0046EN